

# WHAT IS PolyJet™ 3D Printing?

Create prototypes, models and patterns in unparalleled resolution and detail with PolyJet. Over 100 material combinations allow diverse material properties and aesthetics including flexibility, color and opacity.

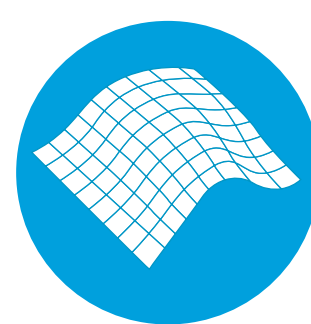
**27  
microns**

27 micron layers produce a smooth surface finish without timely, costly post processing.

**1 day**

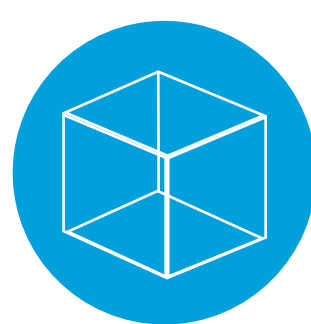
PolyJet is extremely fast. Next day shipping is available for qualifying parts ordered on our ecommerce site.

## Multi-material build



### Over-mold

Rigid and flexible (30A-95A) materials can be combined in a single build



### Transparency

Quickly create clear parts with internal features for concept verification and analysis

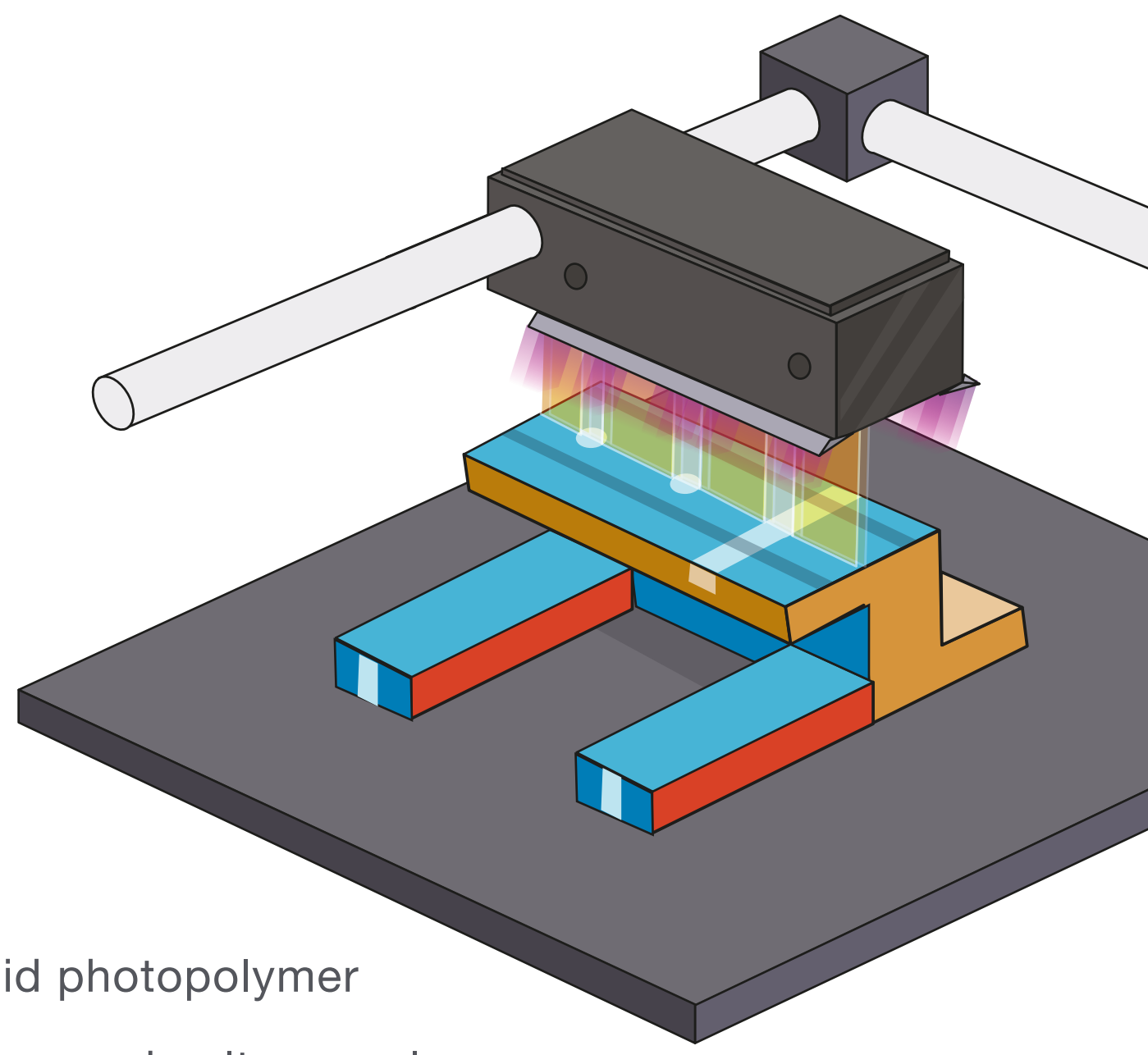


### Color

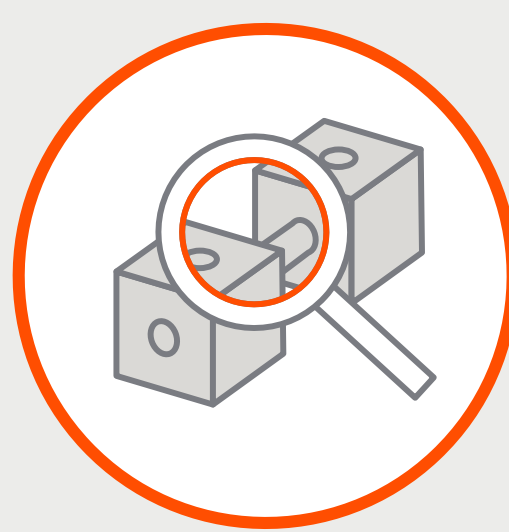
Multiple colors can be incorporated during the build process

## How PolyJet works

- CAD data is uploaded to the machine
- Print heads jet layers of liquid photopolymer layer by layer as a UV light cures simultaneously
- After each layer, the build platform lowers & process repeats
- Completed parts are removed from build platform



## Benefits of PolyJet



### Fine features

PolyJet is excellent at producing fine feature detail. At its highest resolution, PolyJet can build in layers as thin as 0.00063" and with an X/Y resolution of 0.0017".

### Cost savings

PolyJet is one of the least expensive ways to get highly detailed concept models, sales samples, tradeshow display models.



### Speed of development

With parts ready to be shipped in hours, PolyJet is the fastest technology in the Stratasys Direct arsenal.

### Smooth surface

27 micron layers produce a smooth surface finish without expensive and timely post processing.

